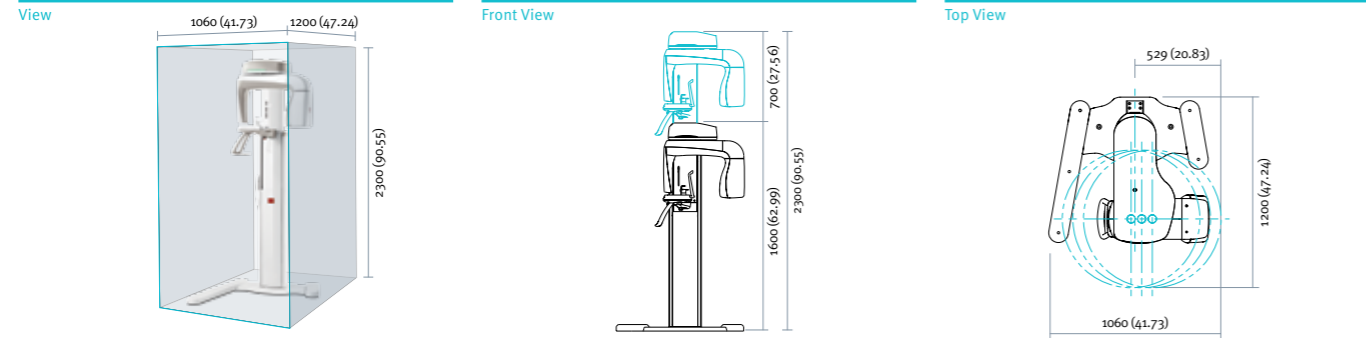
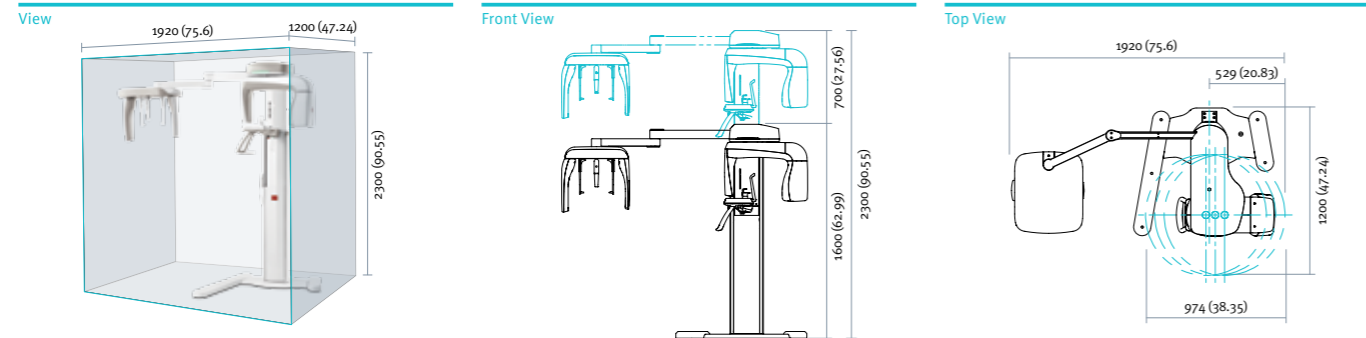


Dimensions [Unit : mm (inches)]

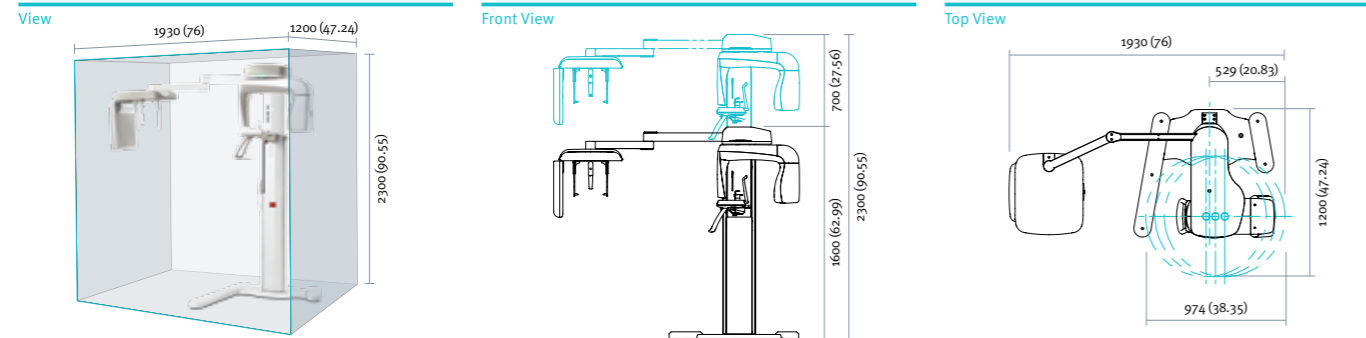
PaX-i_ Pano Only



PaX-i SC_ Pano/Scan Ceph



PaX-i OP_ Pano/One-Shot Ceph



Product Configuration

	Pano		Ceph	
	Scan	One shot	Scan	One shot
PaX-i	●	-	-	-
PaX-i SC	●	-	●	-
PaX-i OP	●	-	-	●

Specification (PaX-i : PCH-2500)

Function	Panoramic + Cephalometric	Generator Voltage	50 ~ 90 kVp
Scan Time	Pano : HD 13.5 sec. / Normal 10.1 sec. Ceph : Scan 12.9 sec. / One-shot 0.9 sec.	Generator Current	4 ~ 10 mA
Sensor Type	Pano : CMOS Ceph : CMOS (SC) / TFT (OP)	Patient Position	Standing / Wheel-Chair accessible
Focal Spot	0.5mm	Weight	PaX-i : (without base) 90kg / 198.5 lbs PaX-i SC : (without base) 120kg / 264.6 lbs PaX-i OP : (without base) 130kg / 286.6 lbs Base : 50kg / 110.3 lbs
Gray Scale	14bit		

* The specifications are subject to change without prior notice.



PaX-i

Your digital success partner

Design your success story on digitalization.

PaX-i is affordable and easily accessible diagnostic X-ray imaging device developed entirely by VATECH through innovative technological know-how in order to promote a healthier humanity.



PaX-i

innovation inside

"i" stands for 'innovation', one of the core values of VATECH, which aims to expand accessibility of dental solutions to more people.

Technology Inside

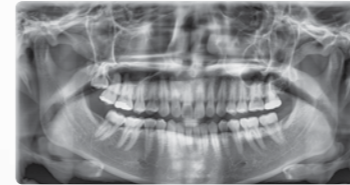
- Superior image quality
- The most stable and secure imaging system
- Various capture modes : TMJ/Sinus/Bitewing
- Optimal product option for your requirement
- Simple & compact design

Eco Inside

- PaX-i, the fully digital X-ray imaging solution from VATECH, aimed especially at caring for the environment by providing eco-friendly digitization all over the world.

Optimal Image Solution for Accurate Dental Diagnosis

PaX-i provides the most precise and high quality panoramic image by innovative imaging process and accumulated experience in dental imaging from VATECH. It always enables you to perform an accurate diagnosis with great satisfaction from patients in your clinic.



- Various capture modes to meet all of diagnostic requirements
- Capability to choose jaw shape and patient size to capture the most accurate image
- Fast capturing mode, segmented capturing mode, child mode considering reduced X-ray dose & time saving

Intuitive User Interface & Various Capture Modes

Mode	Detail Description
Standard	Standard, Right, Left, Front
Bitewing	
Orthogonal	
TMJ	PA / Lateral
Sinus	



Advanced Image Solution for Orthodontist

- 2 dedicated and embedded sensors for Pano and Ceph ⇒ It allows for easy access to Pano / Ceph functions for increased workflow
- 2 types of Cephalometric on your requirement : One shot / Scan type

Scan Ceph



- The standard diagnosis image for orthodontist
- The stable and affordable imaging solution for orthodontic diagnosis

One shot Ceph



- Superior image quality delivered by the highly sensitive Flat Panel X-ray Detector
- The shortest X-ray exposure : 0.9 sec. with no motion artifact

PaX-i makes your digital dreams come true

- EzDent stores patients' demographics together with their images
- Stored images can be viewed and manipulated anywhere within the Practice Network
- Making your consultation with patients more effective and vivid with the function to demonstrate before and after treatment

